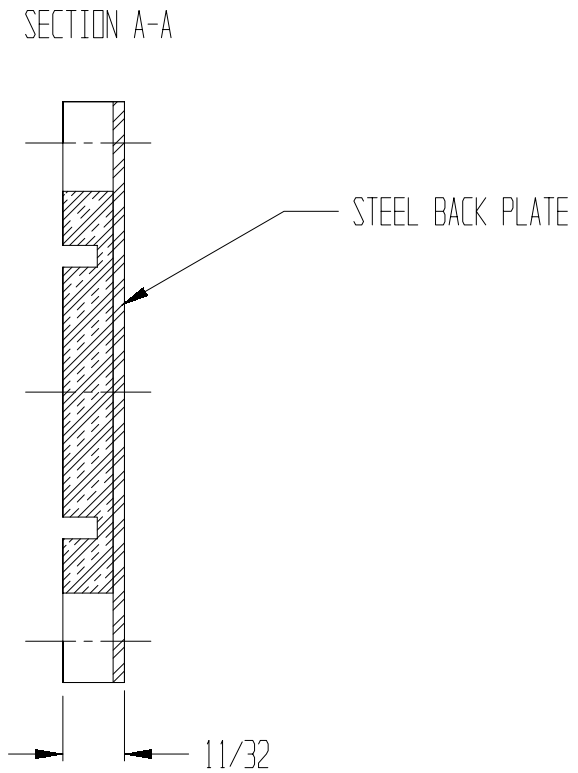
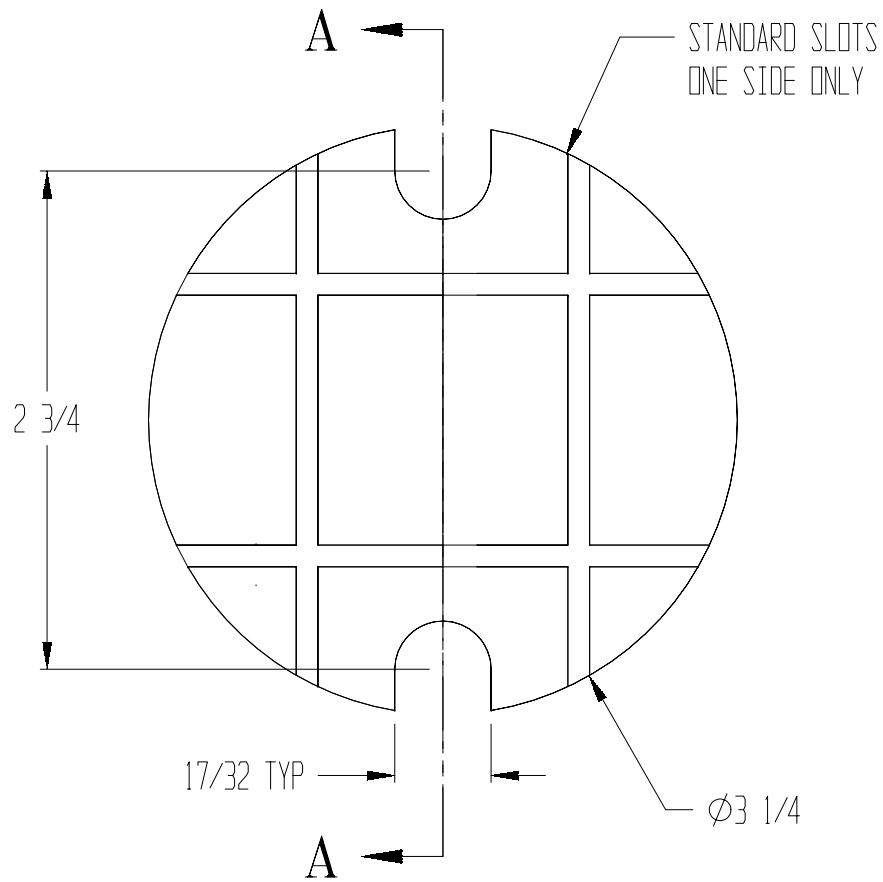


REVISIONS			
REV	DESCRIPTION	DATE	APPROVED



Selectpart
 © 50 Hutcherson Drive Gorham, Maine 04038 USA/207.854.3874

SelectPart Inc. 2003. All Rights Reserved.
 Any use of this drawing or the information contained herein
 for a purpose other than as expressly authorized by
 SelectPart Inc. is expressly prohibited.

PART DESCRIPTION: SELECTPART FRICTION PAD MONTALVO STANDARD PAD				
DRAWN BY : GEL	SIZE A	PRT NO. TMC STD-PAD	DWG NO. TMC STD-PAD	REV -
CHECKED BY:	SCALE: NONE	MAT'L VARIOUS	SHEET 1 OF 1	
DATE: 23 MAY 2003				