

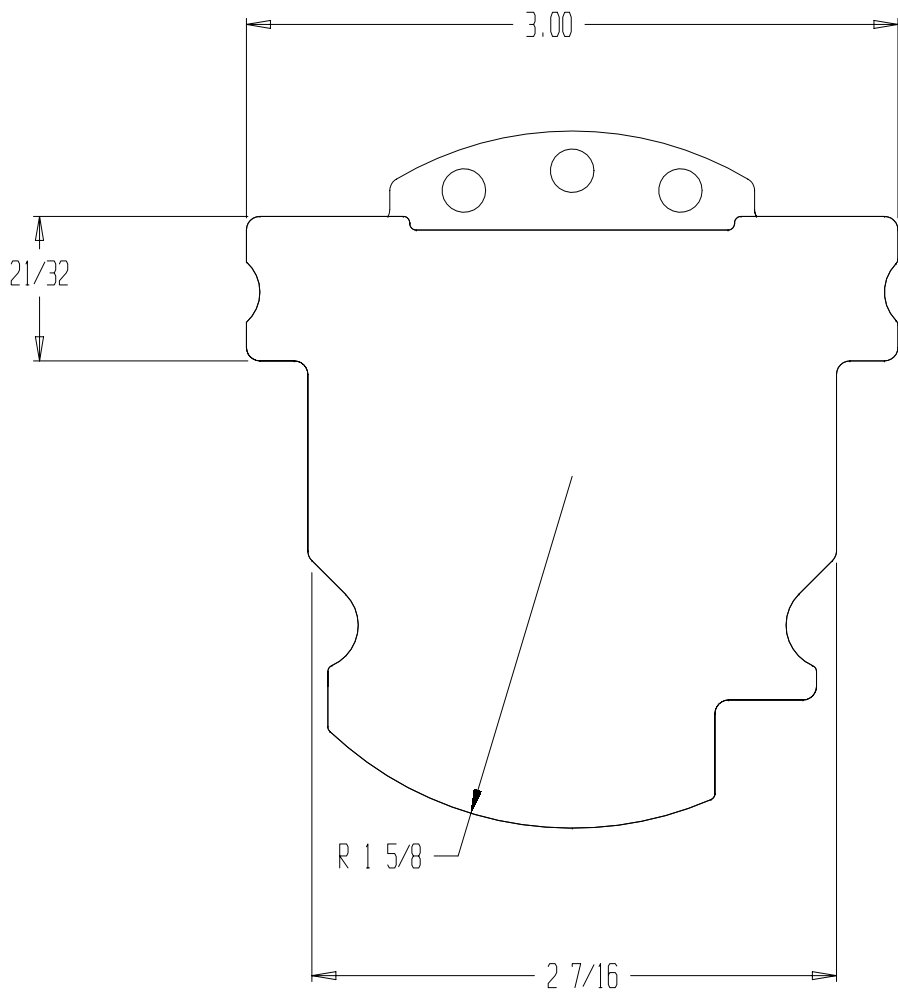
4

3

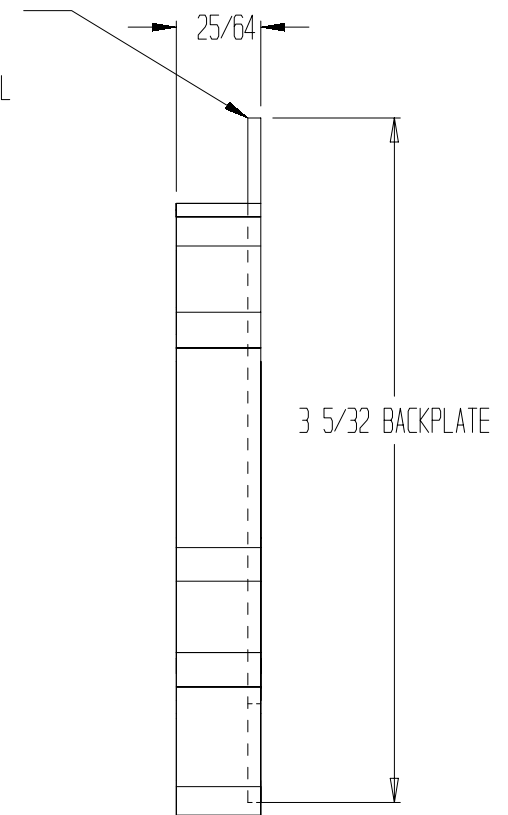
2

1

REVISIONS			
REV	DESCRIPTION	DATE	APPROVED



BACKPLATE
MOLDED INTO
FRICTION MATERIAL



© SelectPart Incorporated, 2003. All Rights Reserved.
Any use of this drawing or the information contained herein for a purpose other than as expressly authorized by SelectPart Inc. is expressly prohibited.

PART DESCRIPTION: SELECTPART FRICTION PAD "V"			
DRAWN BY: GEL	SIZE: C	PRT NO: V-PAD	DWG NO: V-PAD
CHECKED BY:	SCALE: NONE	MATERIAL: VARIOUS	SHEET 1 OF 1
DATE: 08 MAY 2003			

4

3

2

1