

# STCV - Swing Check Valve

## Description

The STCV is a high integrity moulded wafer swing check valve, with fully encapsulated one piece disc / hinge assembly ensuring prolonged maintenance free service. Suitable for a wide range of chemical process conditions.

The product is available for both standard DIN PN 10/16 and ANSI 150.

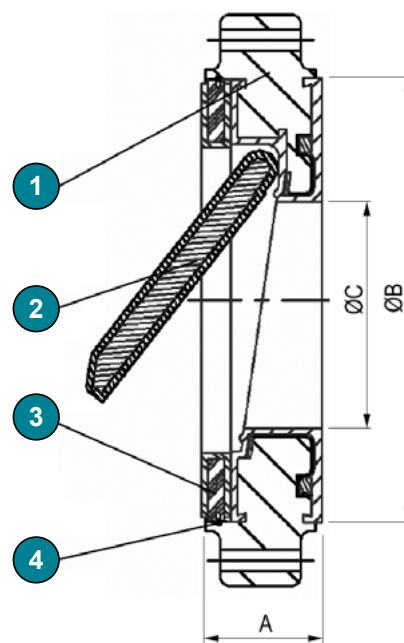
## Product features

- Retained hinge design to aid installation and prevent disc removal in service
- Machined body T-slots and liner locking system securely holding liner in position
- Angled seat design ensures positive location in horizontal lines
- Virgin PFA with no pigmentation to hide defects
- Strong robust design



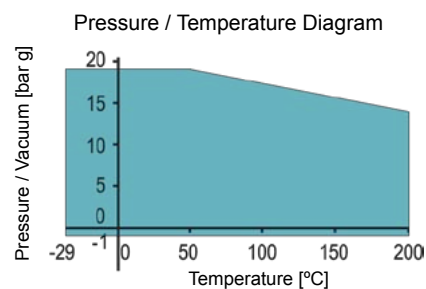
## Material specification

Item	Qty	Description	Materials	Specification	DIN equivalent material
1	1	Body	Cast steel / PFA	ASTM A216 Gr WCB / PFA	1.0619 / PFA
2	1	Disc	Cast steel / PFA	ASTM A216 Gr WCB / PFA	1.0619 / PFA
3	1	Retaining Plate	Carbon Steel / PFA	BS4360 Gr 43A / PFA	1.0490 / PFA
4	1	Circlip	Stainless steel	BS2056 Gr 304S15	1.4301
		Paint finish	75µ, RAL 5021	Epoxy coating	-
		PFA lining	ASTM D 3307		



## Dimensions

To suit pipework		Face to face	Diameter ASME 150	Diameter DIN PN10/16	Valve bore	Weight
mm	Inches	A	B	B	C	kg
100	4	52	171	152	71.5	6.0
150	6	56	219	218	110	12.0
200	8	60	275	273	150	21.5
250	10	68	336	329	184	27.5
300	12	78	406	378 / 384	230	40.5



# STCV - Swing Check Valve

## Options

Component	Description
Body	Antistatic liner
Seat	Soft seats, Kalrez & Viton for gas applications



## Type code

<b>STCV</b>	<b>100</b>	<b>.</b>	<b>3</b>	<b>3</b>	<b>.</b>	<b>3HT</b>	<b>.</b>	<b>3HT</b>	<b>.</b>
<b>1</b>	<b>2</b>	<b>3</b>	<b>4</b>	<b>5</b>	<b>6</b>	<b>7</b>			

<b>1</b>	Type	<b>STCV</b>	Swing Check Valve
<b>2</b>	Nominal diameter	<b>100 - 300</b>	mm
<b>3</b>	Working pressure	<b>3</b>	16 bar
<b>4</b>	Rating	<b>3</b>	PN10/16
		<b>A</b>	ASME Class 150
			others on request
<b>5</b>	Body	<b>3HT</b>	Cast steel / PFA
			Body with antistatic liner on request
<b>6</b>	Disc	<b>3HT</b>	Cast steel / PFA
<b>7</b>	Seat (option)		Kalrez & Viton for gas applications on request

InterApp AG  
Grundstrasse 24  
CH-6343 Rotkreuz  
Phone +41 (0) 41 798 22 33  
Fax +41 (0) 41 798 22 34  
info@ch.interapp.net

InterApp Germany  
Hochsträss 3  
D-78727 Oberndorf am Neckar  
Phone +49 (0) 771 896 689 30  
Fax +49 (0) 771 896 689 35  
info@de.interapp.net

InterApp Austria  
Kolpingstrasse 19  
A-1230 Wien  
Phone +43 (0) 1 616 2371-0  
Fax +43 (0) 1 616 2371-99  
info@at.interapp.net

InterApp Italy  
Via Gramsci 29  
I-20016 Pero (MI)  
Phone +39 02 33 93 71  
Fax +39 02 33 93 7200  
info@it.interapp.net

InterApp Spain  
Juan Ramón Jiménez, 16  
E-28860 Paracuellos de Jarama  
Phone +34 (0) 91 658 48 83  
Fax +34 (0) 91 658 14 30  
info@es.interapp.net

InterApp France  
La Picoterie  
F-14400 Arganchy  
Phone +33 (0) 67 436 61 34  
Fax +33 (0) 23 121 18 95  
info@fr.interapp.net

InterApp Hungary  
Bécsi út 100  
H-1034 Budapest  
Phone +36 (1) 436 97 02  
Fax +36 (1) 436 97 00  
info@hu.interapp.net

The technical data are noncommittal and do not assure you of any properties. Please refer to our general sales conditions. Modifications without notice.

© 2009 InterApp AG, all rights reserved