

## OWECON OWC300 Series Advanced Tension Controller

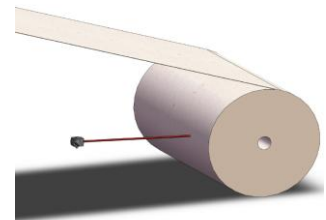
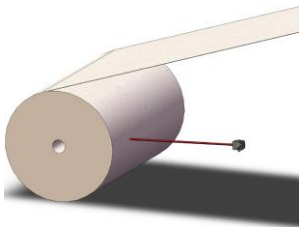


The **OWECON OWC300 Advanced Tension Controller** is part of the new generation of digital controllers .

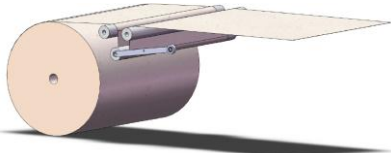
- ✓ New designed, high performance 32 bit stand alone controller in up-to-date industrial design
- ✓ Flexible OEM solutions, Data Bus, Remote communication and integration simplicity
- ✓ Teach – and Tare functions for optimum ease of setup. Plug & Play installation
- ✓ 4,3" TFT 256 color 480 x 272 pixel touch screen in-box version – or for cabinet installation.
- ✓ Designed to meet UL and CE requirements
- ✓ A range of peripherals for an Optimum Web Control application with the OWC300 controller
- ✓ Price / performance competitive.

**Typical applications:**

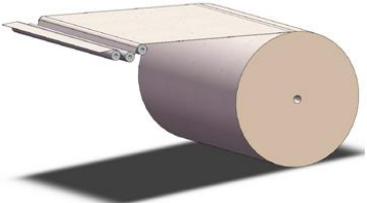
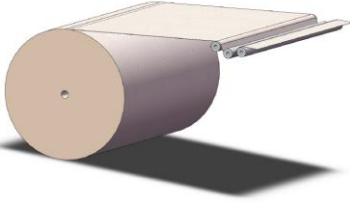
<p><b>Open Loop Unwind</b></p> <ul style="list-style-type: none"> <li>• Brake control</li> <li>• Up to 6 stage range expanding</li> <li>• Diameter calculation</li> <li>• Start/Stop functions</li> </ul>	<p><b>OWC310 Open Loop Controller</b></p> <ul style="list-style-type: none"> <li>• Laser Sensor</li> <li>• Ultrasonic Sensor</li> <li>• Proximity switch pulse</li> </ul>	<p><b>Open Loop Rewind</b></p> <ul style="list-style-type: none"> <li>• Tapered tension algorithm</li> <li>• Control of existing drive</li> <li>• Clutch control</li> <li>• Inertia compensation</li> </ul>
---	---	---



<p><b>OWC320 Dancer Controller</b></p> <p><b>Closed Loop - Unwind</b></p> <ul style="list-style-type: none"> <li>• Dancer arm level sensor</li> <li>• Up to 6 stage range expanding</li> <li>• Controlled fast stops</li> <li>• Progressive PID loop</li> </ul>
---

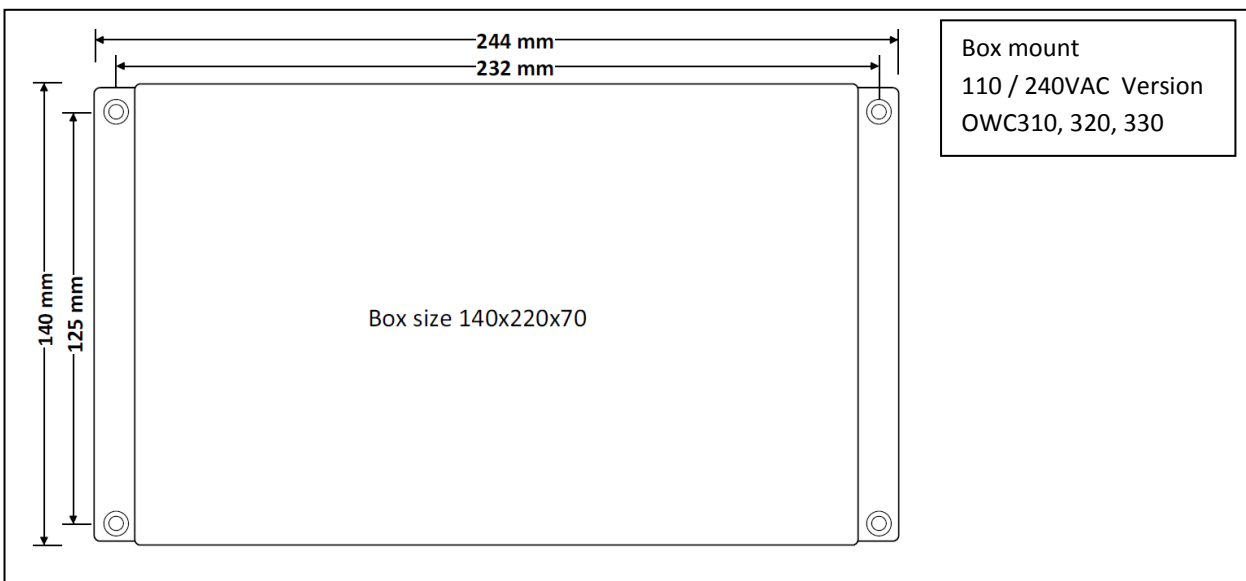
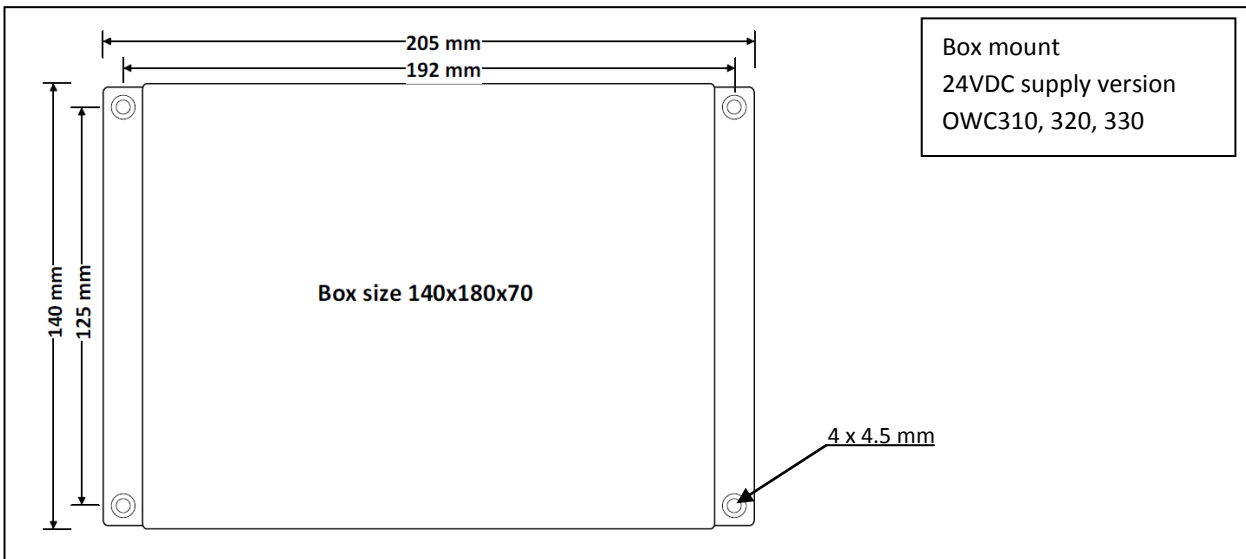
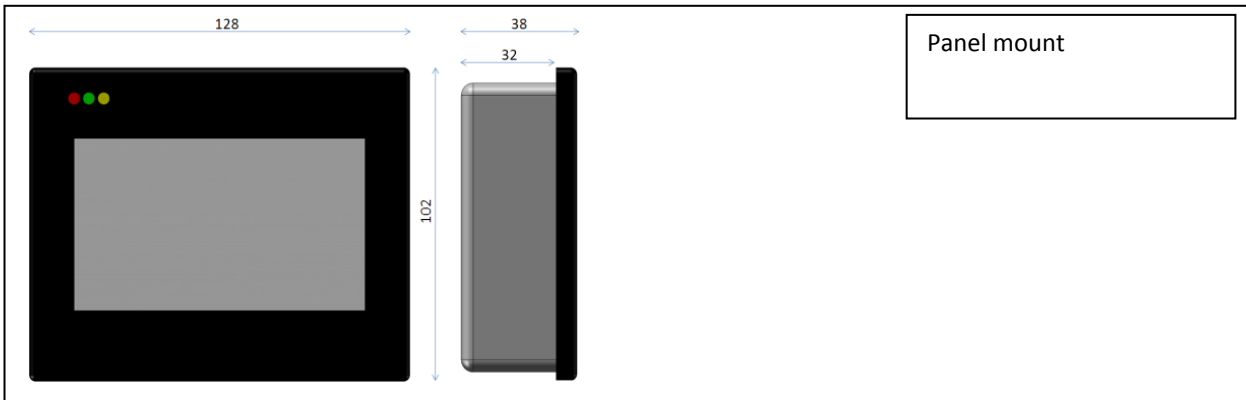


-  OWB Brakes
-  OWL Loadcells
-  OWP I/P Converter



<p><b>Closed Loop Unwind</b></p> <ul style="list-style-type: none"> <li>• Diameter calculation</li> <li>• Dynamic PI loop</li> <li>• Pneumatic Brake</li> <li>• Start/Stop functions</li> </ul>	<p><b>OWC330 Load Cell Tension Controller</b></p> <ul style="list-style-type: none"> <li>• Load cells</li> <li>• Proximity switch pulse</li> <li>• Web speed input</li> </ul>	<p><b>Closed Loop Rewind</b></p> <ul style="list-style-type: none"> <li>• Tapered tension algorithm</li> <li>• Control of existing drive</li> <li>• Clutch control retro fit</li> <li>• Inertia compensation</li> </ul>
---	---	---

**Dimensions (mm):**



**Technical Data:**

<p><b>OWC300 controller series</b></p> <p>Analogue I/O.....3xIN ; 2xOut          Digital I/O.....6xIN ; 6xOUT          Loadcell supply.....5VDC / 10 VDC          Input signal ranges.....10-20-40-80 and 300 mV          Performance A/D converter.....24bit resolution / 1,2kHz          Output signal range.....0-10VDC / 4-20mA          Cycle time.....1 ms          Communication Interface.....Modbus          Power supply.....24VDC /110VAC/240VAC          Temperature working range.....0 to 50° C          Protection class.....IP54          Weight.....1,5 Kg</p>	<p><b>OWC-HMI10 User Interface</b></p> <p>Operation.....4,3" TFT 256 color 480 x 272 pixel touch screen          Supply.....24 VDC nominal (15-30 VDC @ 150 mA)          Installation category .....II (IEC 664)          Noise Immunity .....EN 50082-2 industrial          Noise Emission.....EN 50081-1          Temperature range (operating).....0 to 50° C          Temperature range (storage).....-10 to 80° C          Material fire Classification.....94 VO          Degree of Protection.....IP54          Designed to meet EN 60204 and UL 508</p>
---	---

<b>Ordering info for OWC300 Series Tension Controllers:</b>			
<u>Type</u>	<u>Description</u>	<u>Item</u>	<u>Order</u>
<b>Controllers</b>			
OWC310	Open Loop controller 110 / 240VAC	33100100	<input type="checkbox"/>
	Open Loop controller 24VDC	33140100	<input type="checkbox"/>
OWC320	Dancer controller 110 / 240VAC	33200100	<input type="checkbox"/>
	Dancer controller 24VDC	33240100	<input type="checkbox"/>
OWC330	Load cell tension controller 110 / 240VAC	33300100	<input type="checkbox"/>
	Load cell tension controller 24VDC	33300100	<input type="checkbox"/>
<hr/>			
<b>PCBs</b>			
OWC310P	Open Loop controller PCB, 24VDC Supply	33000100	<input type="checkbox"/>
OWC320P	Dancer controller PCB, 24VDC Supply	33000200	<input type="checkbox"/>
OWC330P	Load cell tension controller PCB, 24VDC Supply	33000300	<input type="checkbox"/>
<hr/>			
<b>Accessories:</b>			
OWC-HMI10	Control Panel, 480 x 272 pixel touch screen	90003005	<input type="checkbox"/>
OWP120	I/P Converter 4-20mA, 0-6Bar for brakes and clutches	41200100	<input type="checkbox"/>
	Cable standard 5m/4 pole 2 plugs, straight + L-plug	90080011	<input type="checkbox"/>
OWP220	Pneumatic Interface Box, 4-20mA, 0-6 Bar	42200100	<input type="checkbox"/>
	Cable standard 5m/4 pole 2 plugs, straight	90080012	<input type="checkbox"/>
	Cable standard 10m/4 pole 2 plugs, straight	90080013	<input type="checkbox"/>